

由 Autodesk 教育版产品制作

ABSOLUTE MAXIMUM RATINGS

Item	Symbol	Min.	Max.	Unit
Supply Voltage(Logic)	Vdd - Vss	-0.3	7.0	V
Supply Voltage(LCD)	Vdd - V0	-0.3	25.0	V
Input Voltage	Vi	-0.3	Vdd + 0.3	V
Operating Temp.	Topr	-20	70	°C
Storage Temp.	Tstg	-30	80	°C

MECHANICAL DATA

Item	Max.	Unit
Module Size (W X H X T)	160.0 X 109.0 X 12.0	mm
Viewing Area(W X H)	122.0 X 92.0	mm
Dot Pitch(W X H)	0.36X 0.36	mm
Dot Size(W X H)	0.33 X 0.33	mm
View Angle	6 or 12 O'Clock	

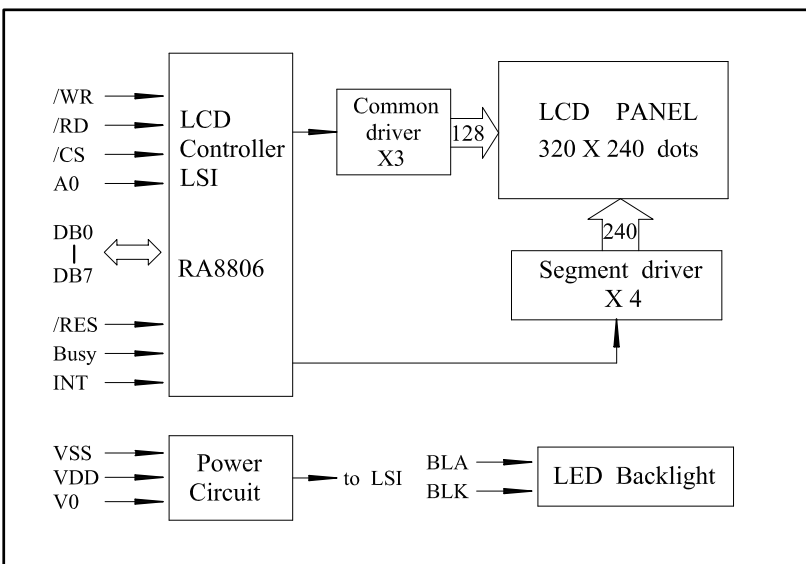
ELECTRICAL CHARACTERISTICS (Vdd=5V±0.25V)

Item	Symbol	Test Condition	Min.	Typ.	Max.	Unit
Input High Voltage	Vih	--	2.0	--	Vdd	V
Input Low Voltage	Vil	--	-0.3	--	0.8	V
Output High Voltage	Voh	Ioh=-0.2mA	2.4	--	Vdd	V
Output Low Voltage	Vol	Iol=-1.6mA	0	--	0.4	V
Supply Current	Idd	Vdd=5.0V	--	7.0	15.0	mA
LCD Driving Voltage	Vdd - V0	Ta=25 °C	--	15.0	--	V

PIN CONNECTIONS

Pin	Symbol	Level	Function
1	GND	0V	Power GND
2	VDD	+5V	Power supply for logic
3	V0	--	Operation voltage for LCD
4	/WR	L	Write signal
5	/RD	L	Read signal
6	/CS1	L	Chip enable signal
7	A0	H/L	H: Instruction Code, L: Data
8	/RES	L	Reset signal
9	D0	H/L	Data bit 0
10	D1	H/L	Data bit 1
11	D2	H/L	Data bit 2
12	D3	H/L	Data bit 3
13	D4	H/L	Data bit 4
14	D5	H/L	Data bit 5
15	D6	H/L	Data bit 6
16	D7	H/L	Data bit 7
17	BLA	+5V	Power supply for Backlight
18	VEE	-20V	Output voltage for LCD driving
19	INT	H/L	INT signal
20	Busy	H/L	Busy signal
21	BLA	+5V	Power supply for Backlight
22	BLK	0V	

BLOCK DIAGRAM



LCD Color	Backlight

由 Autodesk 教育版产品制作