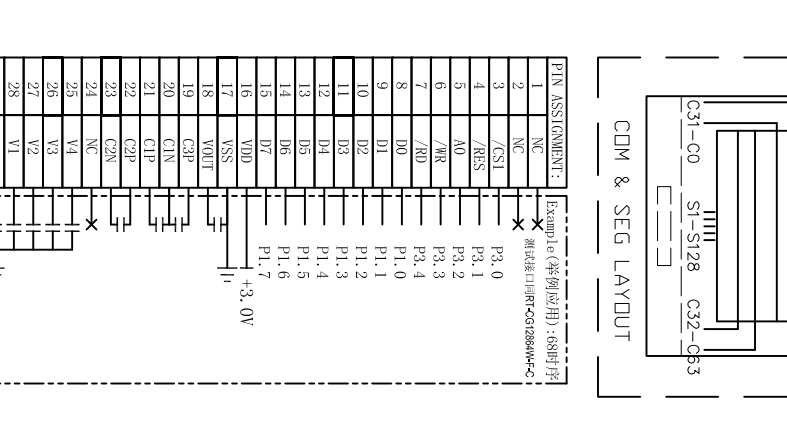
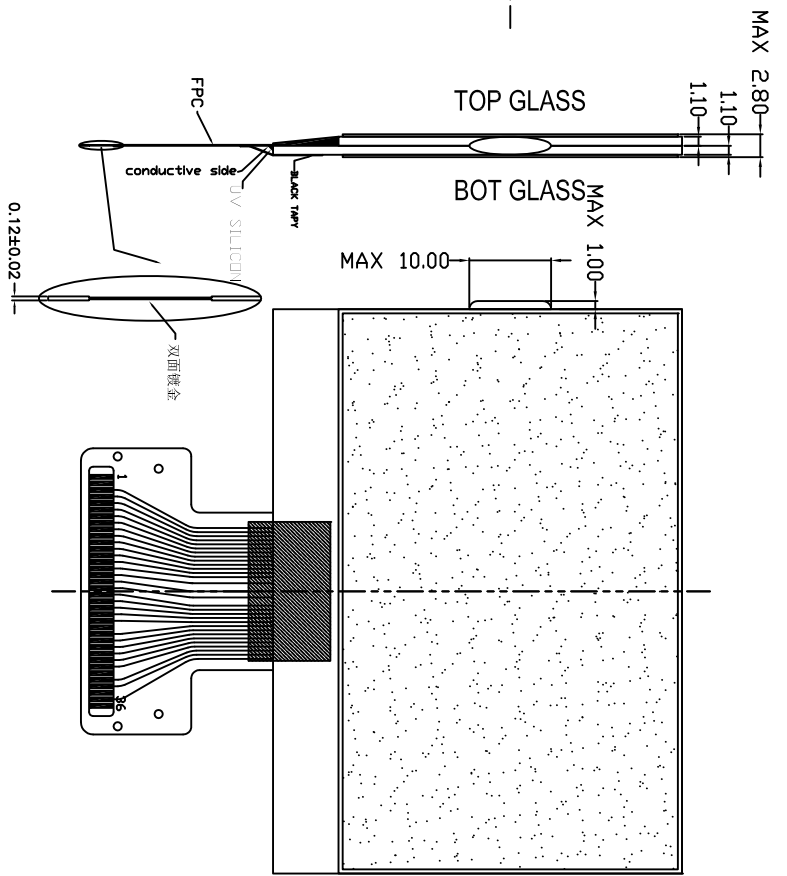
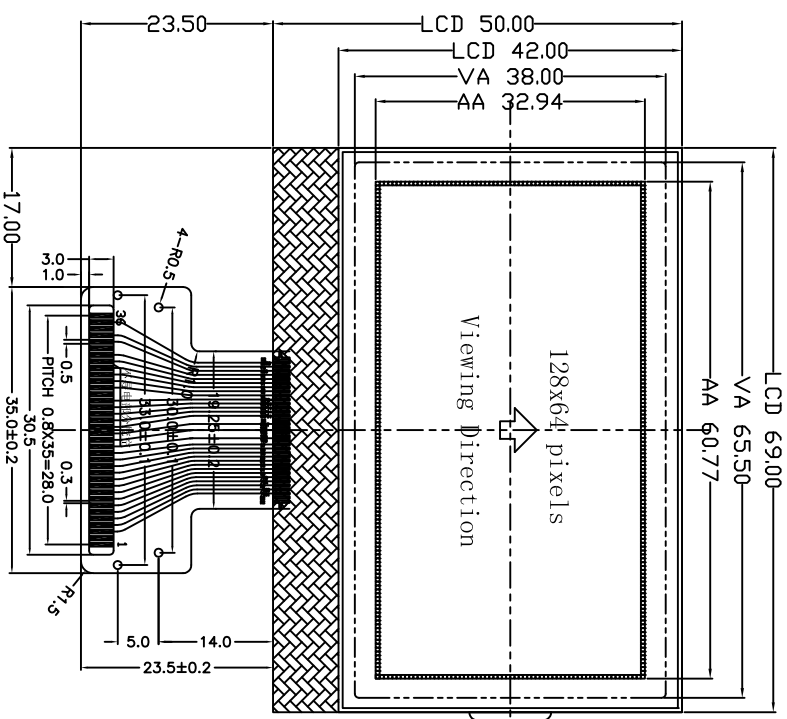
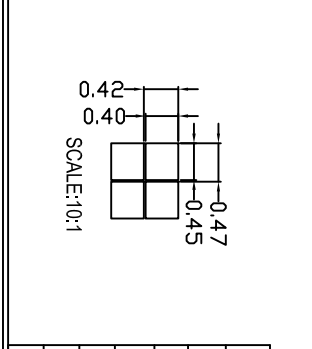


VER	DETAIL DESCRIPTION	DATE
△	The First Amendment	2016 01 15

客户确认签名/
Customer signature



ITEM	PARAMETERS	ITEM	PARAMETERS
OPERATING VOLTAGE	3.0V	OPERATING TEMP	-20°C~70°C
OPERATING CURRENT	1.0MA(MAX)	STORAGE TEMP	-30°C~80°C
LCD DRIVE VOLTAGE	10.5V	BACKLIGHT	---
DISPLAY MODE	STN(Y-G), TRANSMISSIVE, POSITIVE	ROHS STANDARD	YES <input checked="" type="checkbox"/> NO <input type="checkbox"/>
LCD DRIVE METHOD	DUTY: 1/65; BIAS: 1/9	CONNECTOR TYPE	FPC
Driver/Controller	ST7565R/ST3004(ST7565R)	OTHER	--
VIEW DIRECTION	6:00 O'CLOCK		



BOKOO 深圳驰宇微科技有限公司 驰宇微科技 Tel: 0755-29446830 Web: www.cwvict.com	
名称	FGC工程图
编号	CYW-G12864-309
版本	1.0
绘图	PGY
审批	YXS
日期	2016 01 15