

Customer: .

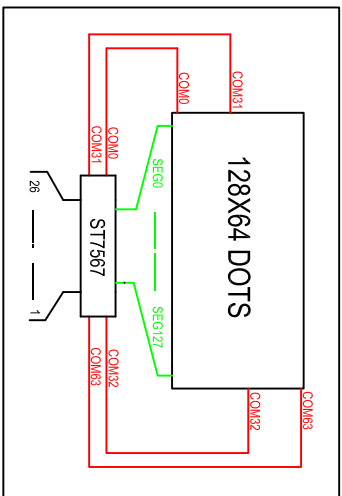
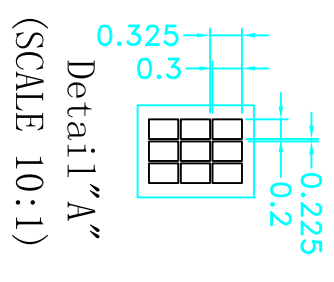
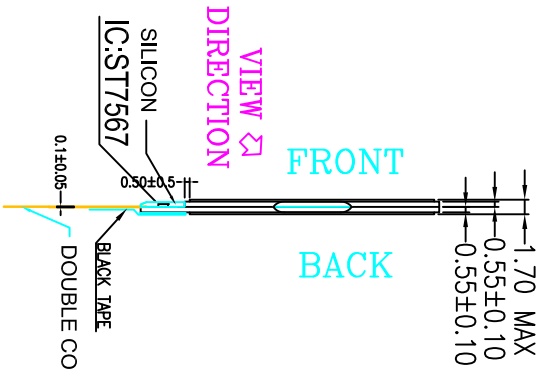
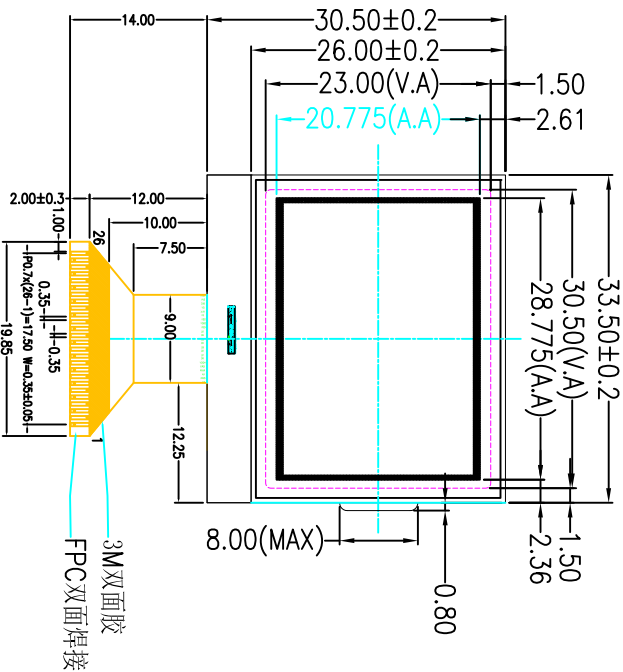
Customer NO.:

Customer Approve By:

由 Autodesk 教育版产品制作

REV.	DESCRIPTION OF MODIFY	MODIFY BY:	DATE
A0	1'ST, DESIGN	WNY	2016-10-20
A1	FPCC长度减小0.5mm	WM	2016-11-19

Pin	DESC
1	/CS
2	/RESERVE
3	A0
4	/NR
5	/RD
6	D0
7	D1
8	D2
9	D3
10	D4
11	D5
12	D6
13	D7
14	VDD
15	VSS
16	NC
17	NC
18	NC
19	NC
20	VO
21	XV0
22	NC
23	NC
24	NC
25	NC
26	VG



- Note:
1. Display Mode:
  2. Driving Condition:
  3. Viewing Direction:
  4. Operating Temp:
  5. Driver IC:
  6. Backlight:
  7. Dimensions with mark "(V)" are referenced.
  8. Unspecified tolerance is ± 0.20mm
  9. RoHS Request

FSTN/POSITIVE/TRANSFLECTIVE(P)

1/65Duty, 1/9Bias, VDD=3.0V, VLCD=8.9V

6:00 o'clock

-20~+70°C

-30~+80°C

ST7567-COG

NO

**BOKOO** 驰宇微科技

深圳驰宇微科技有限公司

Tel: 0755-29446830 web: www.cyw.tcd.com

CD	UNIT: MM	SIZE: A4
	SHEET: 1	OF 1

LCM NO. : FG12864HM-FGNN	DWG NO. : CYW-G12864-316	REV: A1
DRAWN BY :	CHECKED BY :	APPROVED BY :