

由 Autodesk 教育版产品制作

由 Autodesk 教育版产品制作

ABSOLUTE MAXIMUM RATINGS

Item	Symbol	Min.	Max.	Unit
Supply Voltage(Logic)	Vdd - Vss	-0.3	7.0	V
Supply Voltage(LCD)	Vdd - V0	-0.3	25.0	V
Input Voltage	Vi	-0.3	Vdd + 0.3	V
Operating Temp.	Topr	-20	70	°C
Storage Temp.	Tstg	-30	80	°C

MECHANICAL DATA

Item	Max.	Unit
Module Size (W X H X T)	54.0 X 50.0 X 8.0	mm
Viewing Area(W X H)	43.5 X 29.0	mm
Dot Pitch(W X H)	0.28 X 0.35	mm
Dot Size(W X H)	0.32 X 0.39	mm
View Angle	6 or 12 O'Clock	

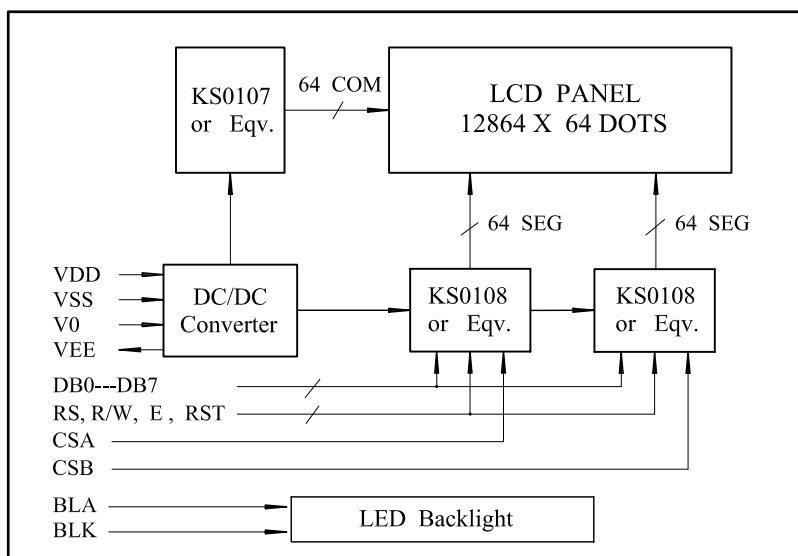
ELECTRICAL CHARACTERISTICS (Vdd=5V±0.25V)

Item	Symbol	Test Condition	Min.	Typ.	Max.	Unit
Input High Voltage	Vih	--	2.0	--	Vdd	V
Input Low Voltage	Vil	--	-0.3	--	0.8	V
Output High Voltage	Voh	Ioh=-0.2mA	2.4	--	Vdd	V
Output Low Voltage	Vol	Iol=-1.6mA	0	--	0.4	V
Supply Current	Idd	Vdd=5.0V	--	6.0	8.0	mA
LCD Driving Voltage	Vdd - V0	Ta=25 °C	--	10.5	--	V

PIN CONNECTIONS

Pin	Symbol	Level	Function
1	VSS	0V	Power GND
2	VDD	+5V	Power supply for logic
3	V0	--	Operation voltage for LCD
4	RS	H/L(3.3V)	H:Data L:Instruction code
5	R/W	H/L(3.3V)	H:Read L:Write
6	E	H/L(3.3V)	Enable signal
7	DB0	H/L(3.3V)	Data bus line
8	DB1	H/L(3.3V)	
9	DB2	H/L(3.3V)	
10	DB3	H/L(3.3V)	
11	DB4	H/L(3.3V)	
12	DB5	H/L(3.3V)	
13	DB6	H/L(3.3V)	
14	DB7	H/L(3.3V)	
15	CSA	H/L(3.3V)	Chip selection for IC1,active"H"
16	CSB	H/L(3.3V)	Chip selection for IC2,active"H"
17	RST	H/L(3.3V)	Reset signal, active"L"
18	VEE	-5V	Output voltage for LCD driving
19	BLA	+5V	Output voltage for LCD driving
20	BLK	0V	Output voltage for LCD driving

BLOCK DIAGRAM



LCD Type

LCD Color	Backlight
Gray	EL/100V/400Hz